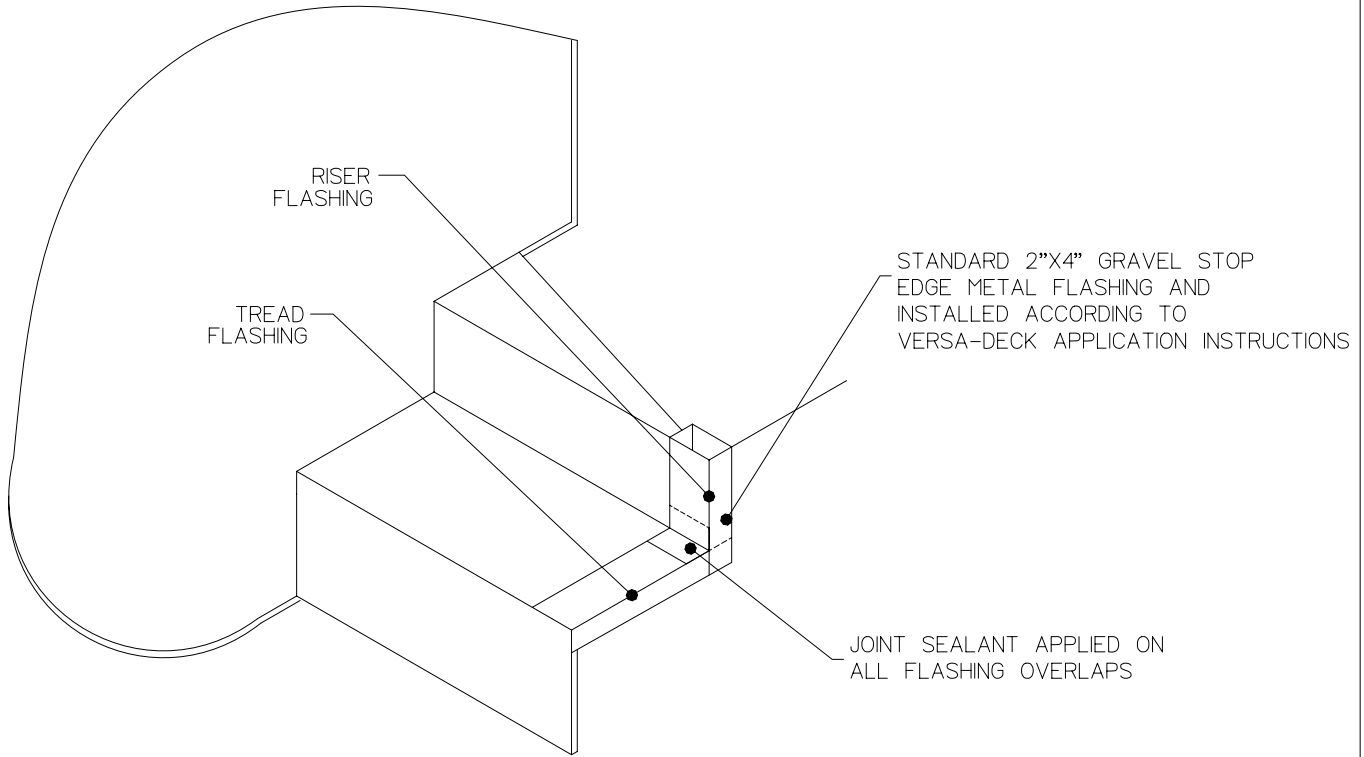


# STAIRWAY EDGE FLASHING DETAIL 4



\* NOTE  
ST - STAIR TREAD DIMENSION  
SR - STAIR RISER DIMENSION

